

Dock Bench

PN 10619

Assembly Instructions

RECOMMENDED TOOLS



Wrenches or sockets:
15mm (or 5/8")
14mm (or 9/16")
10mm (or 13/32")



Cordless Drill:
7/16" Drill Bit



Rubber Mallet



Screwdriver:
Phillips #3



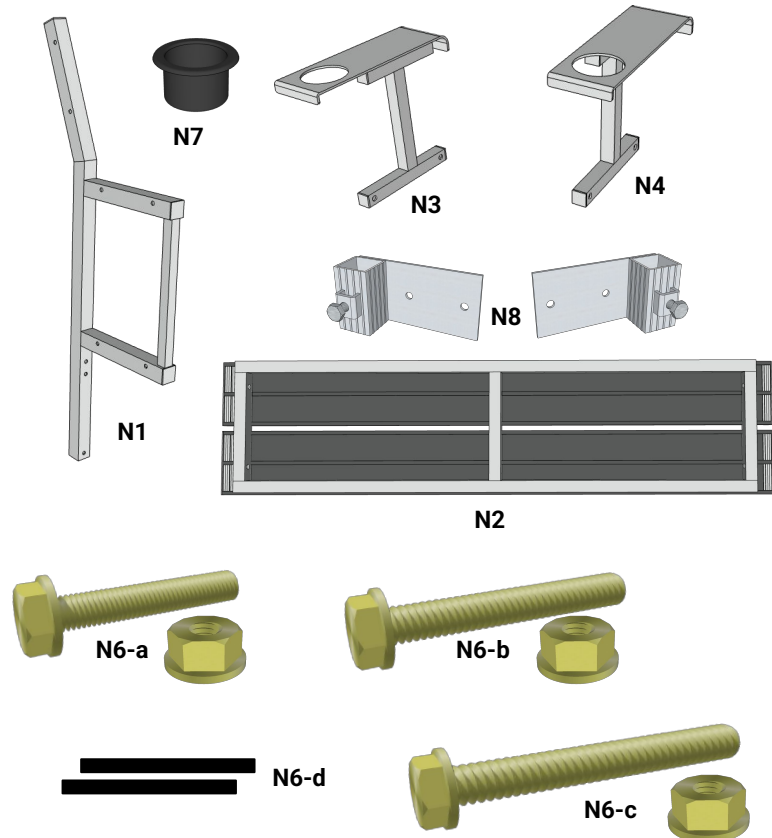
Work Gloves



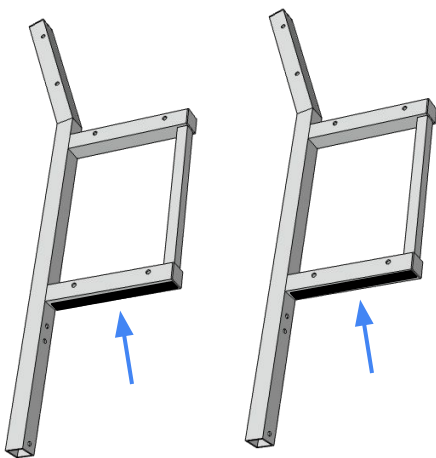
Dock Bench

Components

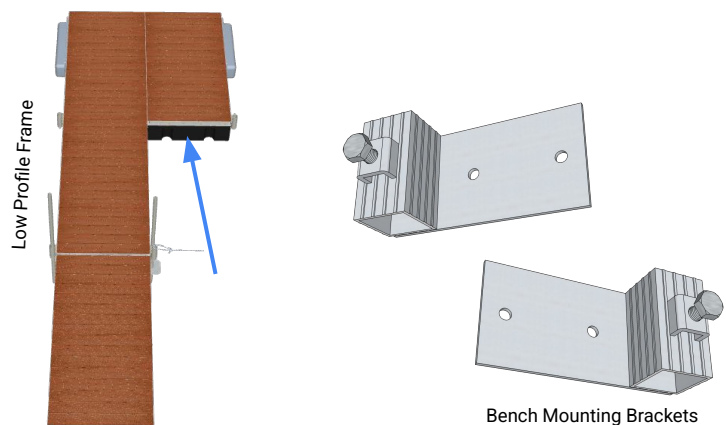
	PN	Description	Qty.
N1	10619-1	Bench Frame	2
N2	10619-2	Seat and Backrest	2
N3	10619-3	Left Armrest	1
N4	10619-4	Right Armrest	1
N5	10619-5	End Caps (Pre-assembled on bench)	8
N6-a		M10x60mm Serrated Bolt and Nut	4
N6-b		M10x80mm Serrated Bolt and Nut	4
N6-c		M10x100mm Serrated Bolt and Nut	6
N6-d		Rubber Strip	2
N7		Plastic Cup Holder	2
N8		Bench Mounting Bracket (only for Low Profile Frames)	2



- 1 Apply both Rubber Strips (N6-d) to Bench Frames (N1). The strip will adhere to the BOTTOM of the square where it will rest on the decking.



- 2 Select the location for the Bench on your frame. For both Truss frames and Low Profile frames, the bench typically mounts to the 4ft side of the dock frame, facing out toward the lake. Holes are pre-drilled in both frames for this location. There are also pre-drilled holes in the Low Profile frame along the 8ft side. Alternate locations can be drilled.



Mounting the Bench depends on the type of frame you have. The Low Profile Frame requires the Bench Mounting Kit (N8). The Bench Mounting Kit can be discarded for truss applications as the Bench directly mounts to the frame.



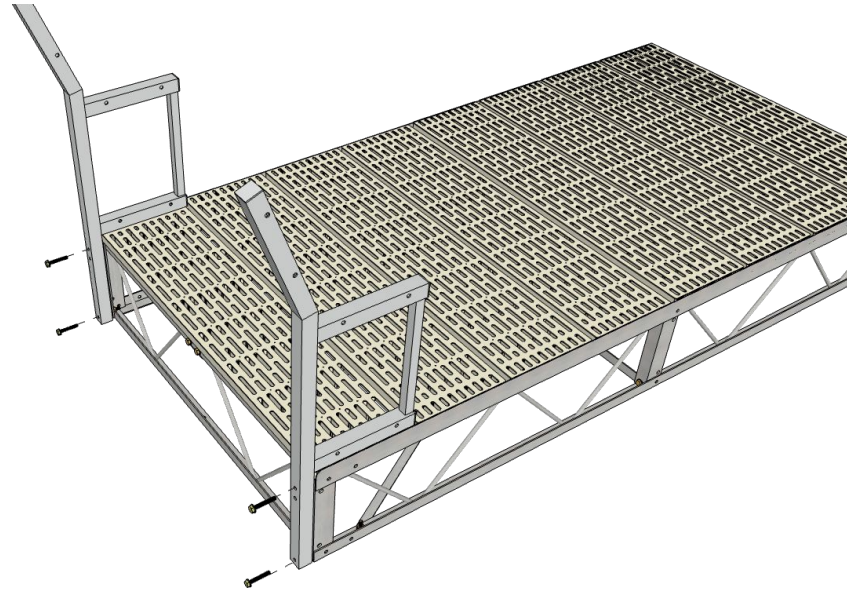
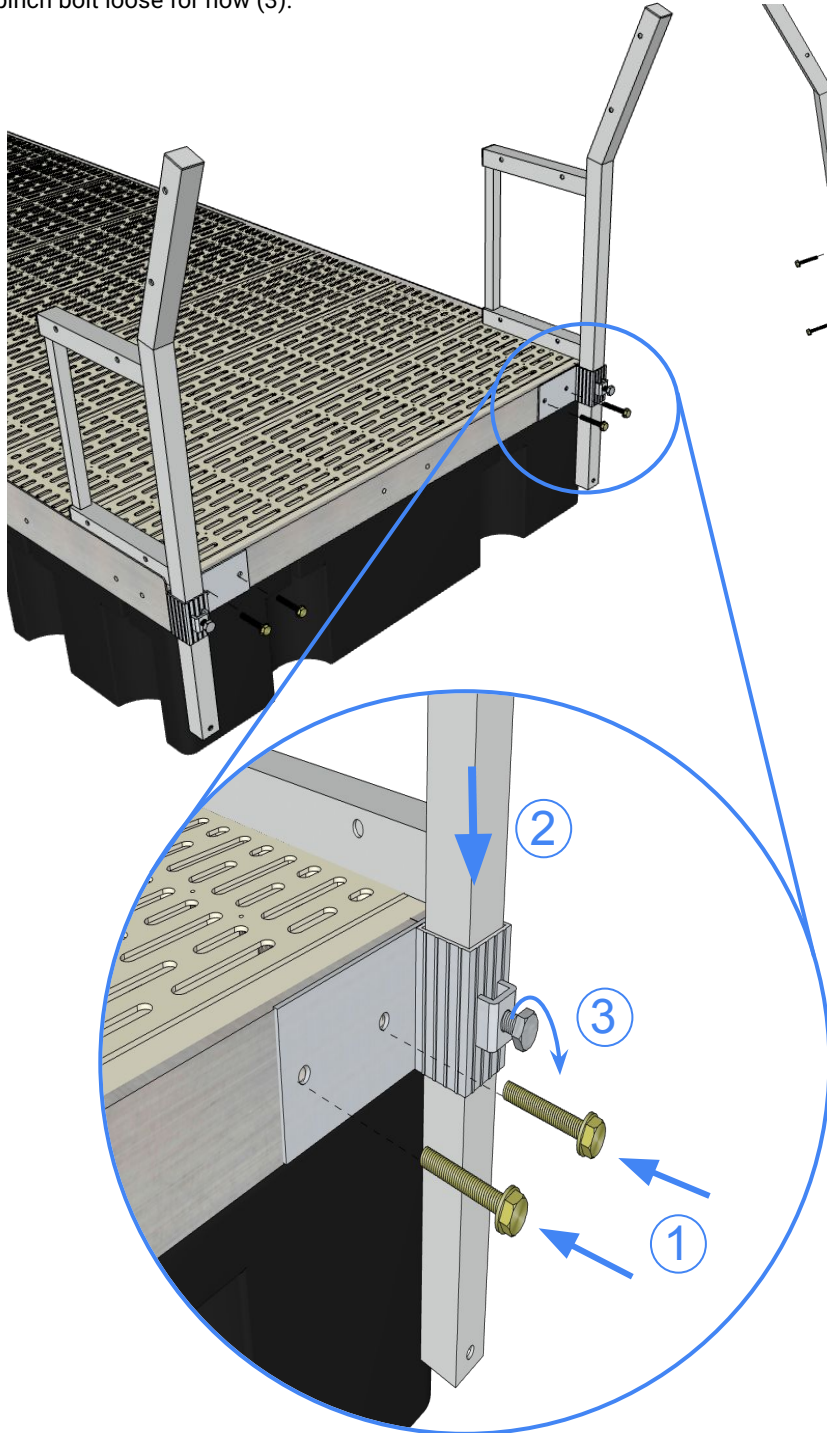
Dock Bench

Assembly Instructions

3 Mount the Bench Frames (N1) to the Dock Frame:

Patriot Low Profile Frames: The Bench Mounting Kit is required for Low Profile Mounting. Orienting the square tube outward, mount the brackets to the frame roughly 46" apart. Firmly secure Bench Mounting Brackets. Once Bench Mounting Brackets are in place (1) slip a Bench Frame (N1) into each Bracket (2), keep pinch bolt loose for now (3).

Patriot Truss Frames: Loosely attach Bench Frames (N1) to your truss frame in the desired location. The holes are roughly 46" apart. Drilling may be required for certain locations, which is best done after full assembly. Use the included M10x60mm bolts/nuts (N6-a) to attach Bench Frames (hardware in the frame must be replaced). Keep bolts loose for now.



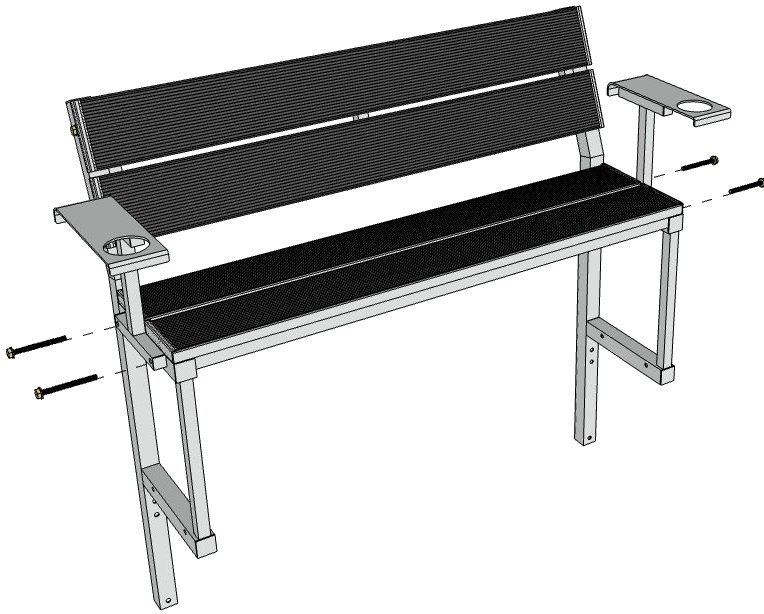
4 With the Bench Frames loosely attached and in position start with attaching the Backrest. Using included M10x80mm bolts/nuts (N6-b) line up the pre drilled holes in the Backrest (N2) frame ends with the upper mounting holes on the Bench Frame. Loosely attach the bolts.



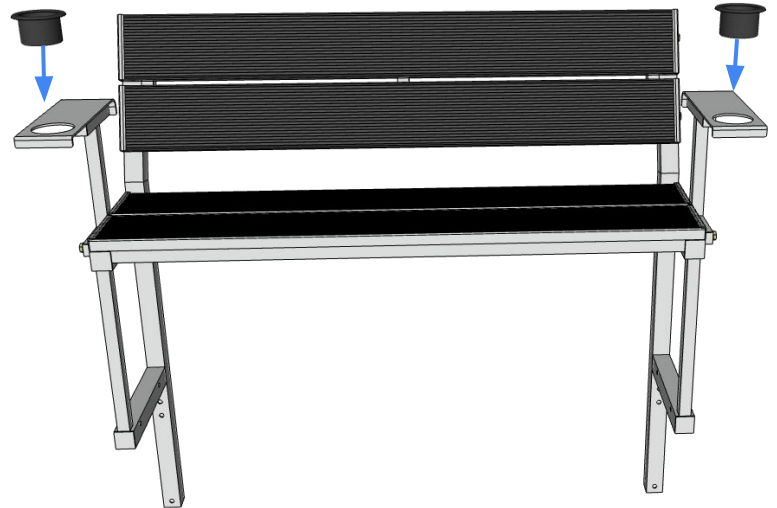
Dock Bench

Assembly Instructions

- 5 Next, attach the Bench Seat (N2) and Armrests (N3 & N4) using the M10x100mm bolts/nuts (N6-c). Notice the Armrest have a left and right, where the Armrest protrudes out from the bench for more seating space. Armrests will mount to the outside of your Bench Frames. Run M10x100mm bolt (N6-c) through the Armrest, Upright, and Seat, then secure with Nut.



- 6 Insert Plastic Cup Holders (N7).



- 7 Firmly tighten all bolts including, Seat, Backrest, Mounting bolt for Truss, and Pinch Bolt for Low-pro.

