

Aluminum Stairs

Assembly Instructions

PN10922, 10923, 10924, 10925, 10926

RECOMMENDED TOOLS



Wrenches or sockets:
10mm (3/8")
16mm (5/8")
19mm (3/4")



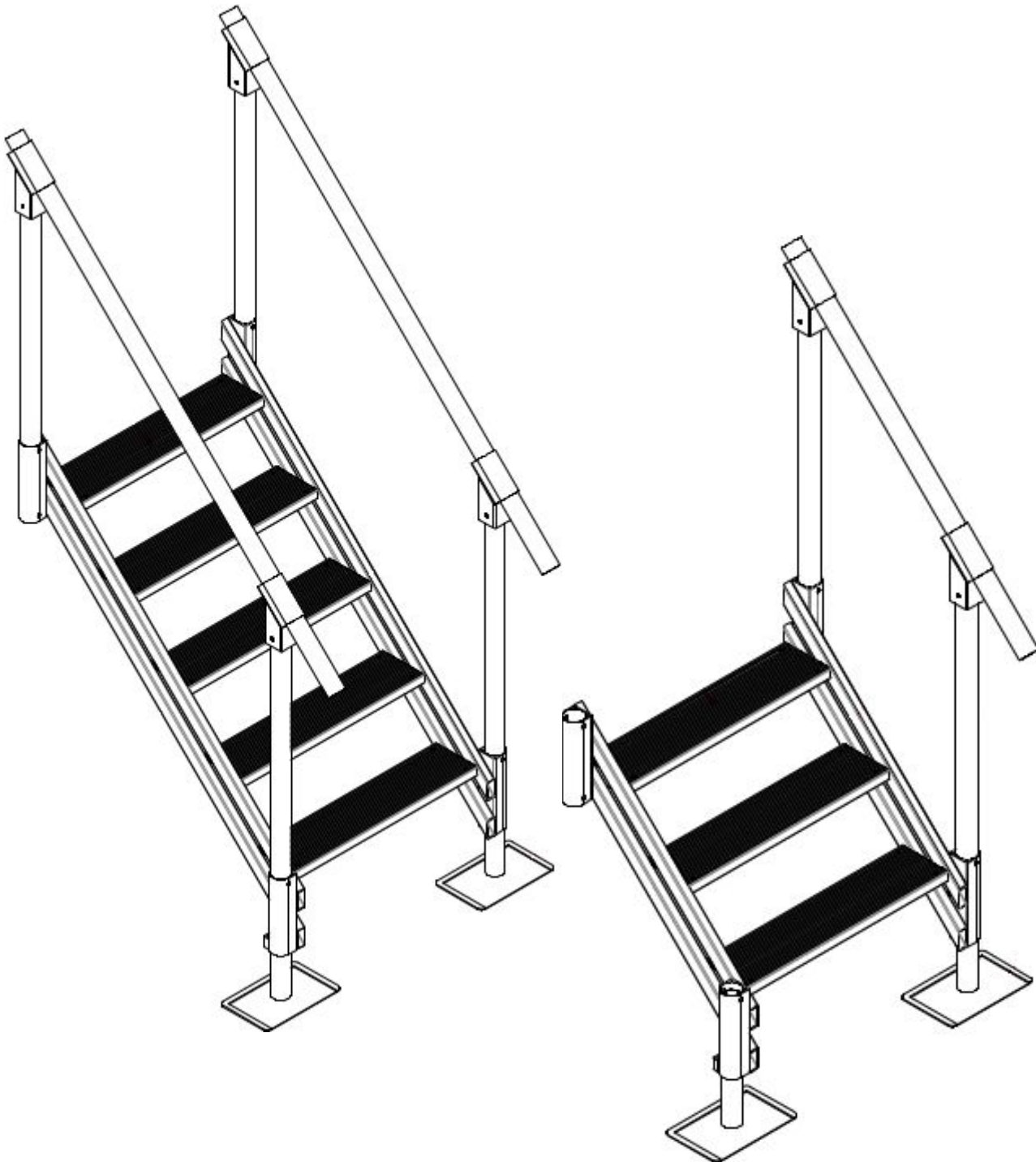
Cordless Drill
7/16" Drill Bit



Screwdriver
(Phillips)



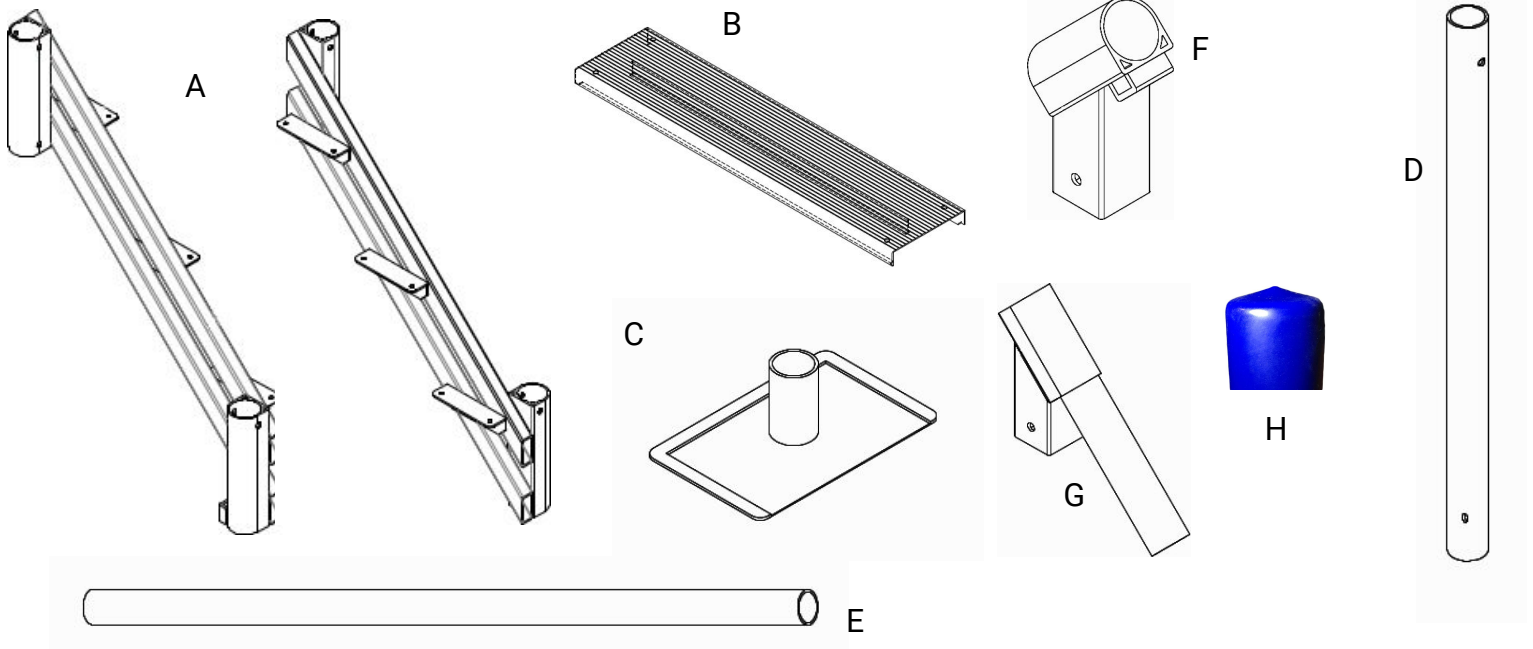
Work Gloves



Aluminum Stairs

Components

PART	DESCRIPTION	QTY (Depends on model)
A	Stair Stringer (Left and Right)	2
B	Steps	2-6
C	Drop Leg and Base	2
D	Handrail Vertical	2 or 4
E	Handrail	1 or 2
F	Upper Handrail Bracket	1 or 2
G	Lower Handrail Bracket	1 or 2
H	Patriot Post Caps	2 or 4



2-Step Stairs (PN10922) and 3-Step Stairs (10923) only come with (1) Handrail Assembly.
 4- Step Stairs (PN10924), 5-Step Stairs (10925), and 6-Step Stairs (10926) will come with (2) Handrail Assemblies.



Aluminum Stairs

Assembly Steps

Hardware:

Size	Purpose	Qty.
M6x20mm	Step Attachment Hardware	10-26
M10x80mm	Vertical Handrail Attachment Hardware	4
M10x70mm	Attaching Upper & Lower Handrail Brackets	2-4

*Quantities will vary depending on the model you purchased.

- 1 Connect all Steps (B) to Left and Right Stair Stringers (A) using M6x20mm Button Head bolt with nylock nuts. Attach all steps to one Stair Stringer first then attach second Stair Stringer. See Figure 1.

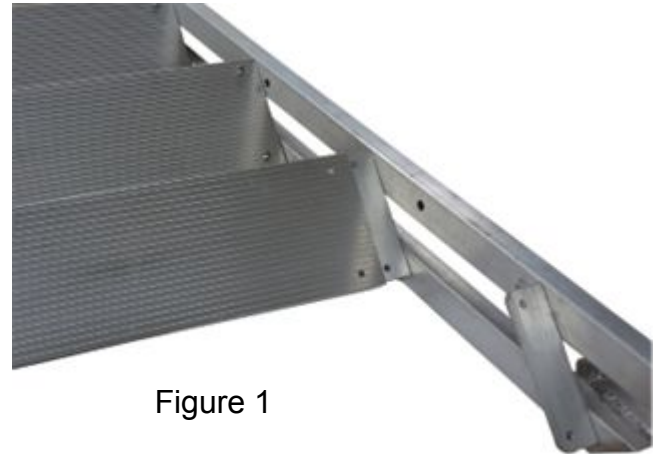


Figure 1

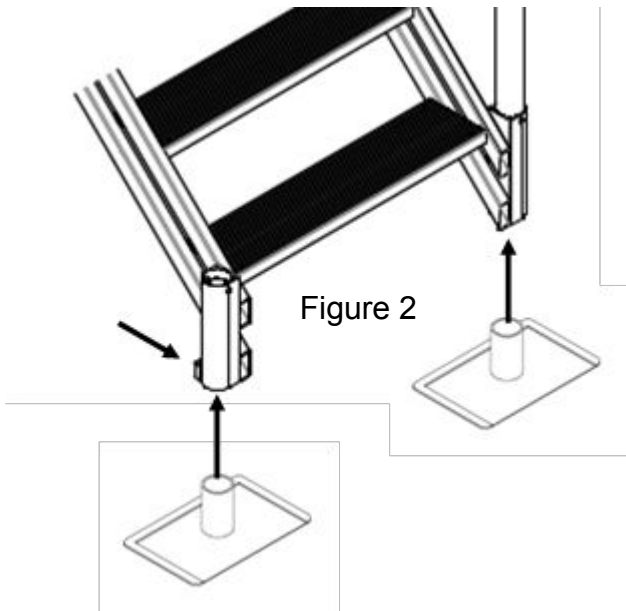


Figure 2

- 2 Insert Drop Leg and Base (C) into the bottom of each Stair Stringer (A). Secure with pinch bolt as shown in Figure 2. Drop Legs have roughly 5" of adjustment. Remember this will increase the rise of your first step. Adjust to desired height.



Aluminum Stairs

Assembly Steps

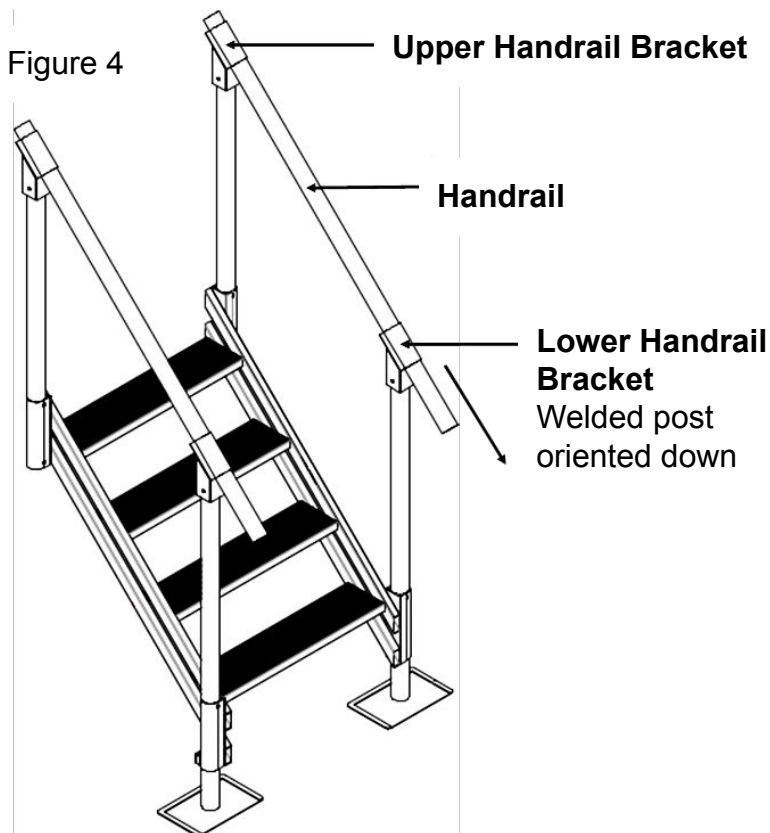
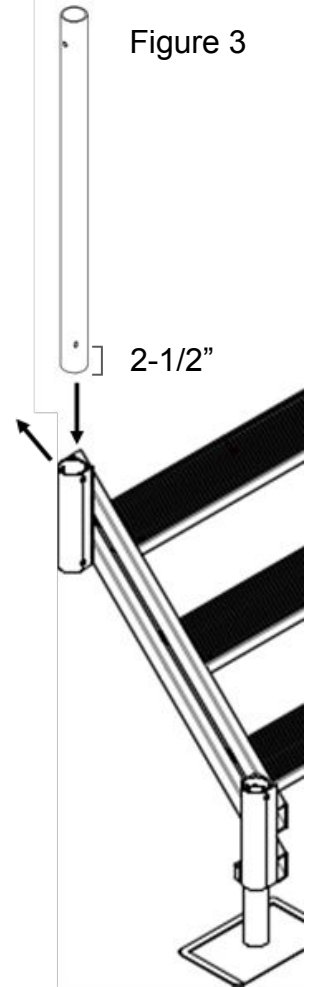
- 3 Determine desired Stair mounting location. Ensure the water depth is appropriate for the number of steps, and that the steps will be level.

Mounting Stairs to Patriot Frame

Align the top mounting hole on the Stair Stringer (A) bracket with one of the top 3/8" mounting holes in the Patriot Frame. The hardware for the Upper Handrail Vertical(s) (D) will be used to mount the stairs to the frame. Insert Upper Handrail Vertical (with the hole 2-1/2" from the edge pointing down). Use M10x80mm Button Head bolt and Nylock nut to secure Stair Stringer and Handrail Vertical to the frame. See Figure 3. The mounting hole on the opposite side will then need to be drilled into the Patriot Frame using a 7/16" drill bit, ensuring stairs are level before marking and drilling hole location. Single handrail units can be mounted on either side.

Mounting Stairs to Another Frame

Align Stairs in desired location so that the top of Stair Stringer mounting bracket is roughly 1-1/4" lower than the deck surface, ensuring stairs are level before marking and drilling hole location. Use Lag Screw or drill out 7/16" mounting holes and secure using included M10x80mm bolt/nuts or similar.



- 4 With Stairs and upper Handrail Vertical mounted in place, attach the lower Handrail Vertical. This will mount in the same bracket as the Drop Legs and Base. Use M10x80mm bolt/nuts to secure. Attach the Upper Handrail Bracket (F) to the upper Handrail Vertical using M10x70mm bolt/nuts. Then attach the Lower Handrail Bracket (G) to the lower Handrail Vertical (D), orienting the bracket so the welded post is facing down. Slide Handrail (E) through the Upper Handrail Bracket the Lower Bracket. Tighten set bolt on each Handrail Bracket. Attach Patriot Post Caps (H) to each end of the Handrail.

