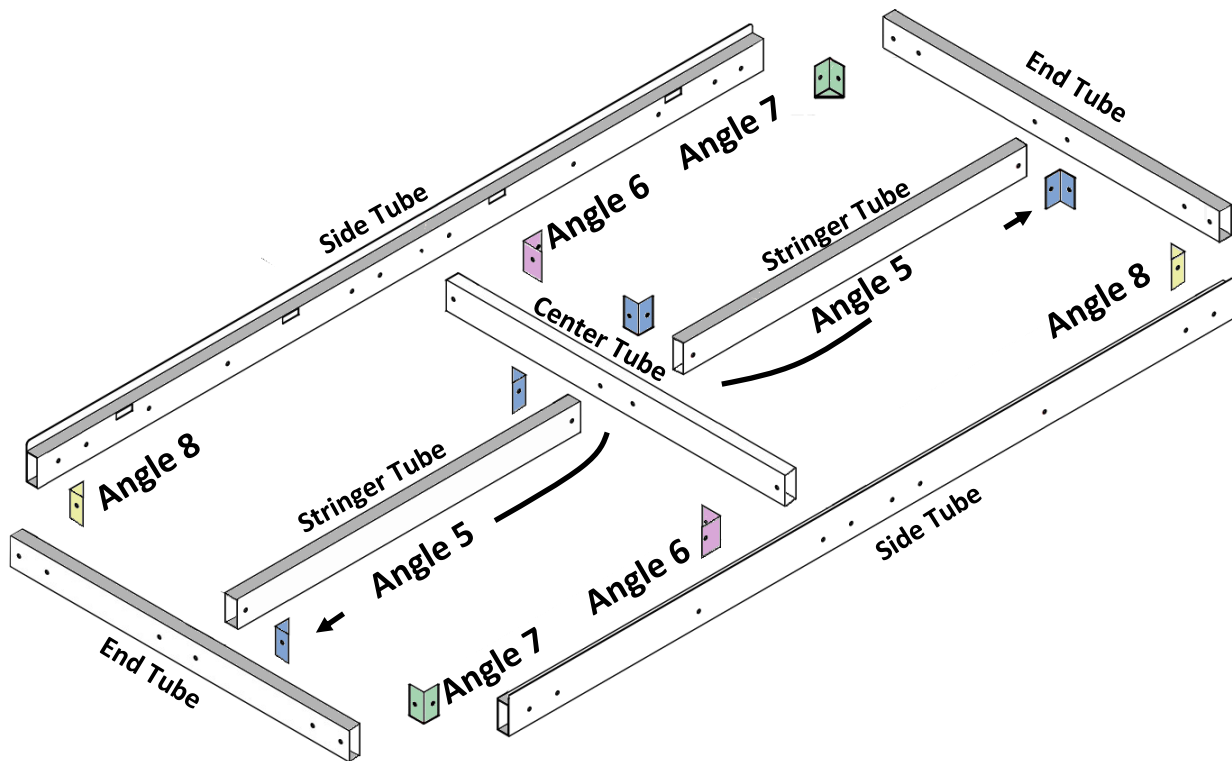
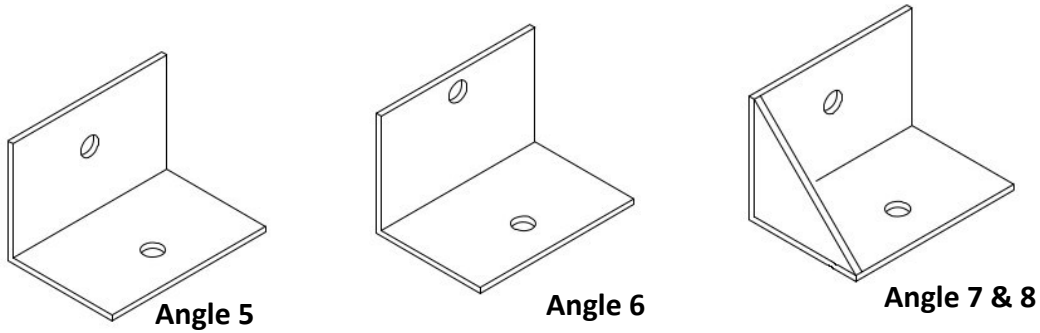




PN10835, PN10834 Shore Ramp Assembly Instructions

8' Shore Ramp Frame Assembly (PN10835)

Unwrap shore ramp frame and components. Lay out the pieces as shown. Angle brackets are numbered to correspond with picture below. The 8' ramp has corner angles with a gusset welded to the bottom. Use M10x60mm bolts/nuts, assemble frame using angles.



4'x4' Shore Ramp Frame Assembly (PN10834)

Unwrap and layout shore ramp frame as shown below. Connect End Tube(s) to Side Tube(s) using the welded angle and the included M10x60mm bolts/nuts. Use remaining 2 Bolted Angles and M10x60mm bolts/nuts to connect Center Tube.

