

Patriot Docks
Quick Connect Installation Instructions

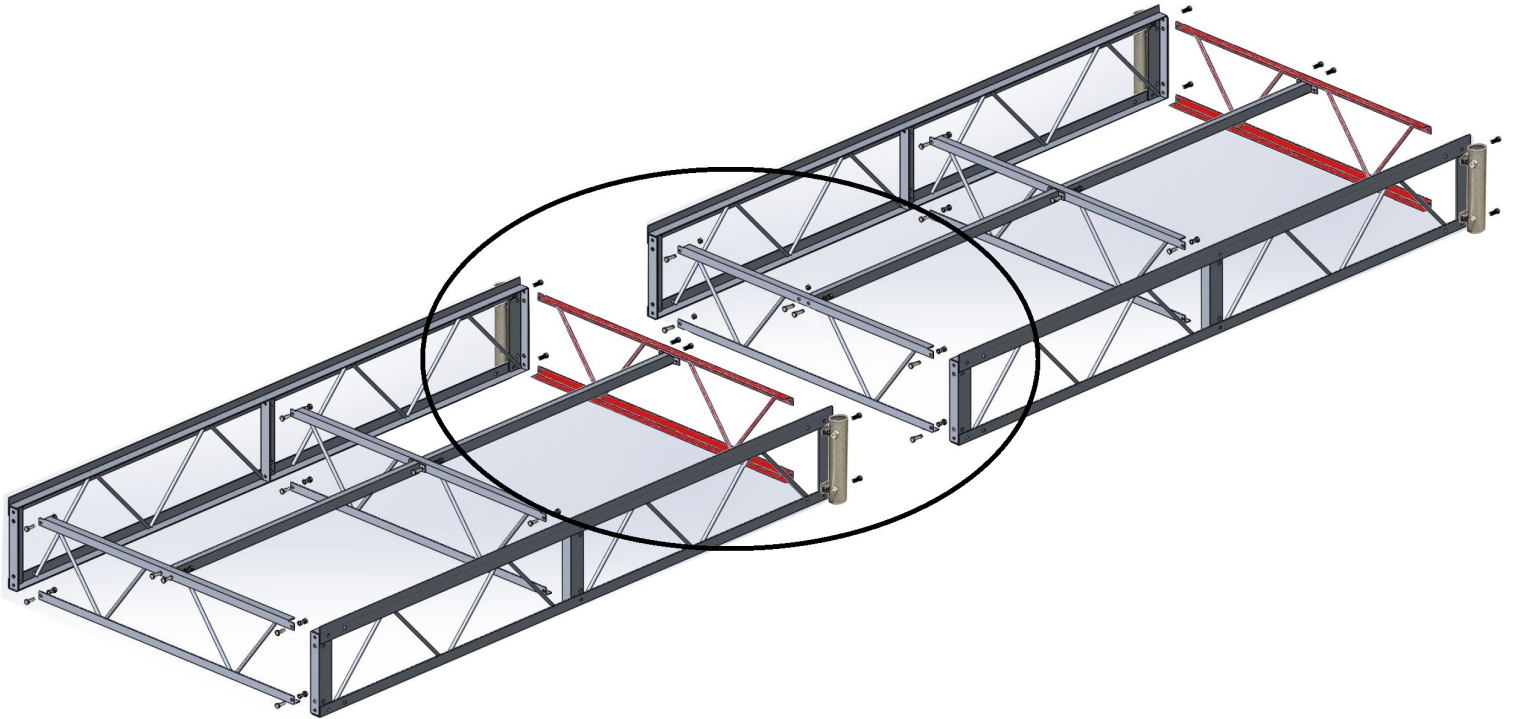
PN10808

The aluminum Quick Connect set is a great way to divide long docks into smaller, more manageable lengths. The set includes four pieces, two loops (female) and two hooks (male).

Installation:

When installing on a Patriot dock, both sides of the joint must be closed with a 4' Truss End Rail (PN10803). As pictured below.

The loop pieces are always attached to the supported side of the joint and the hooks are installed on the unsupported side of the joint. When installing on a Patriot dock, use the existing fasteners that secure the 4' Truss End Rails.



Move first dock section into desired position.

Move next dock section into position and align the hooks over the loops.

Set hooks inside loops. The joint is held under the weight of the dock section.

