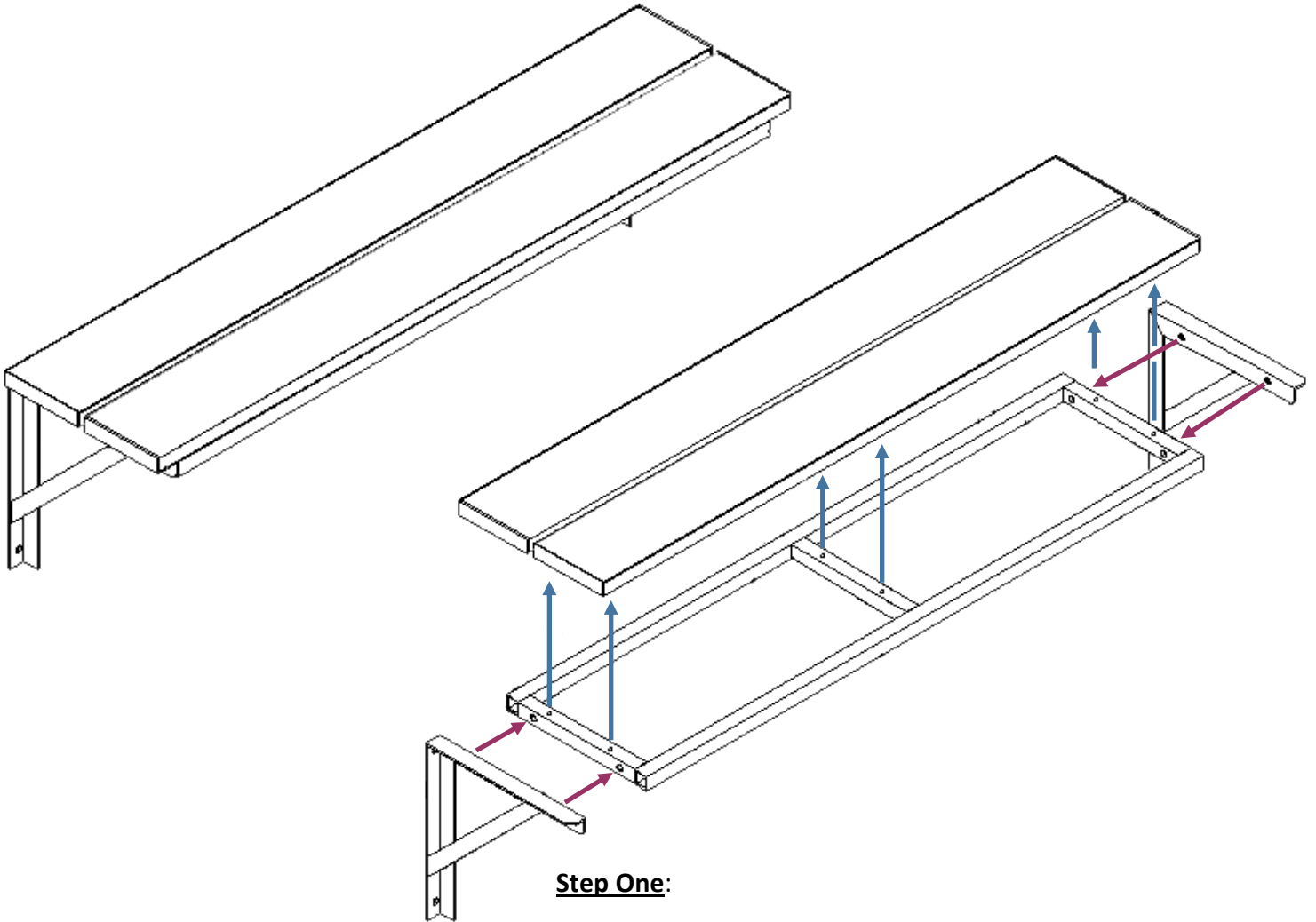




PN10836, 10927, 10928, 10929

## Boat Lift Step - Plank Step

### Installation Instructions



#### Step One:

Left and Right Support Brackets are bolted to the rectangular aluminum frame using four M10x40mm bolts/nuts (red arrows)

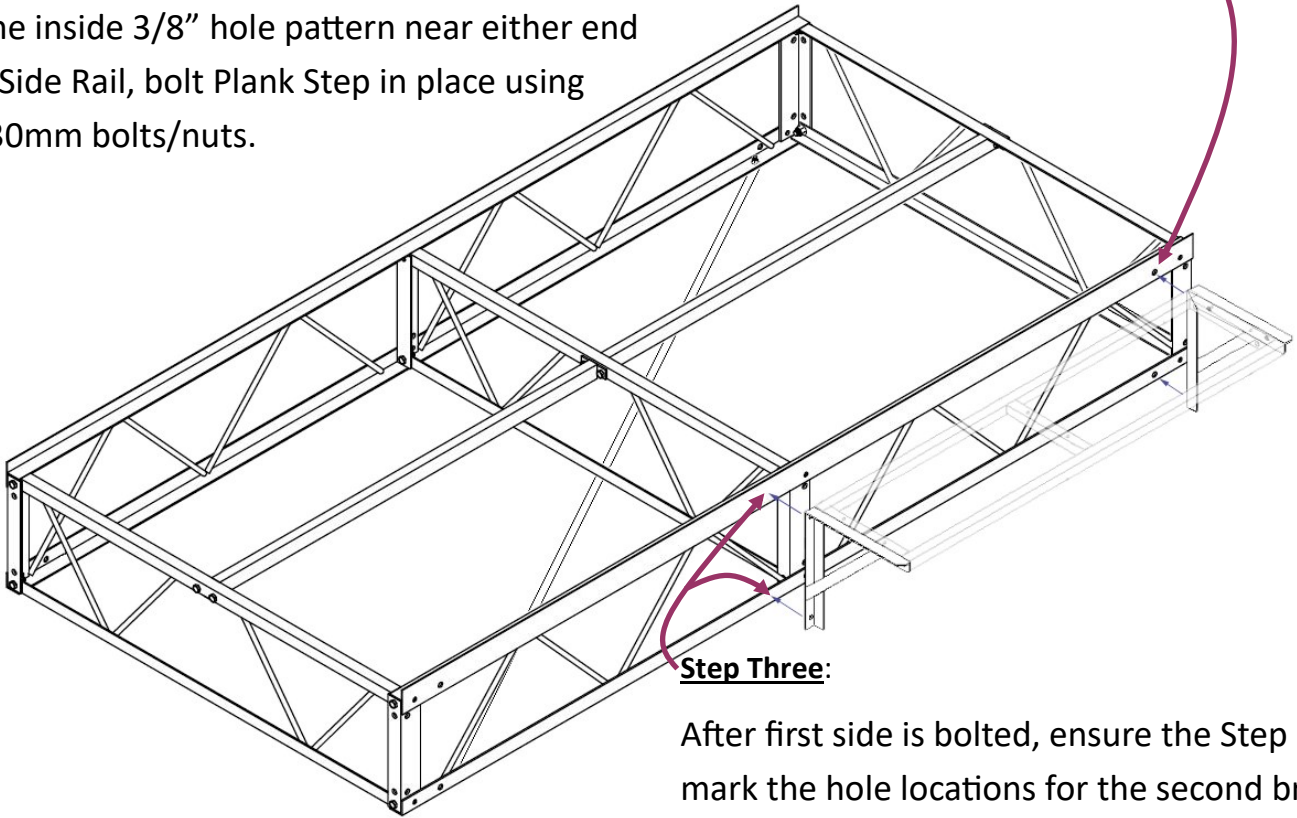
Cedar and poly decking is attached to the rectangular aluminum frame using six pan head screws

#### Tools Required:

M14 (9/16") and M15 (5/8") Wrenches, locking pliers or adjustable wrench, drill with 3/8" drill bit, marker/pencil.

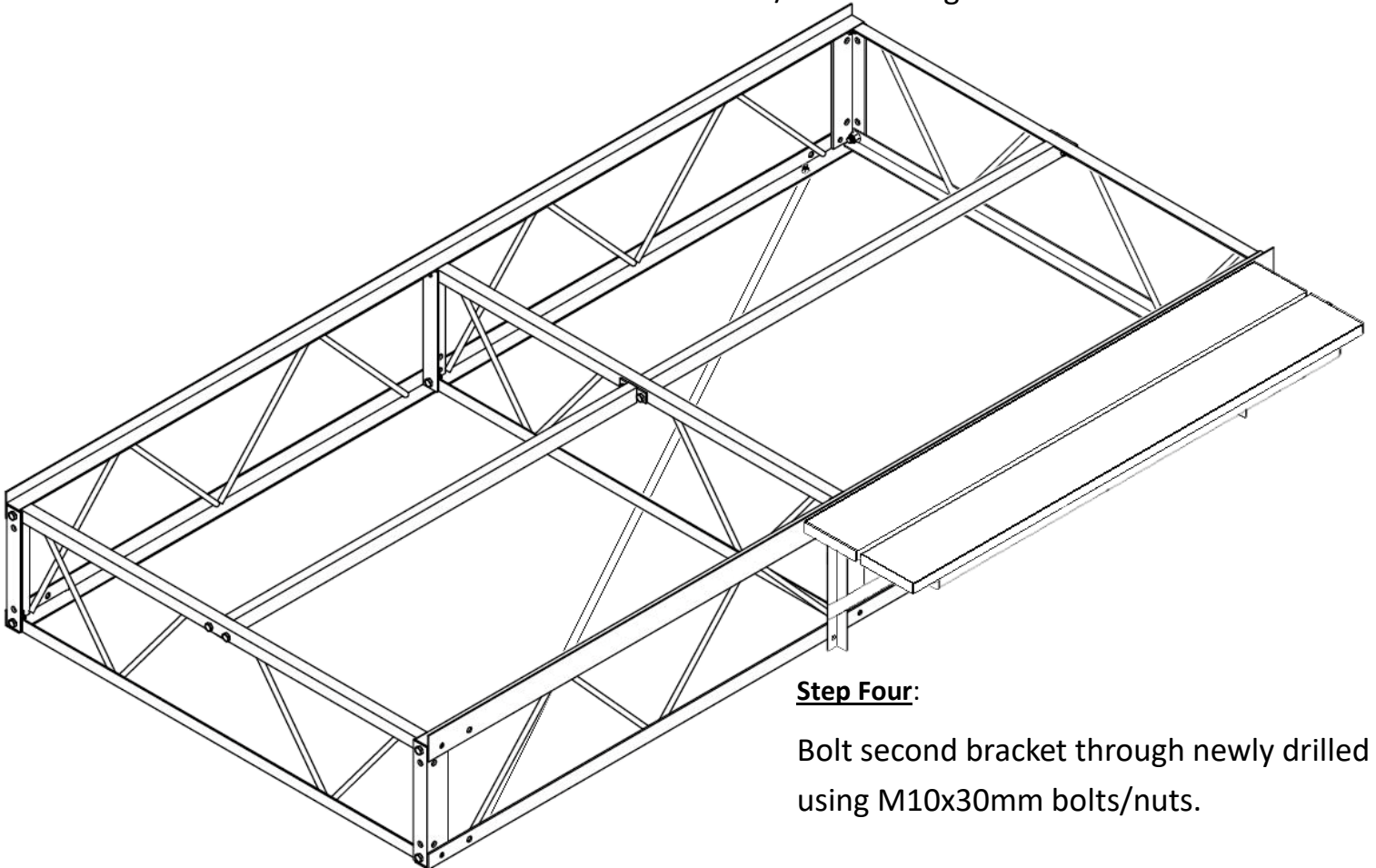
**Step Two:**

Align the assembled Plank Step along the 8' Side Rail of the dock frame. One of the brackets aligns with the inside 3/8" hole pattern near either end of the Side Rail, bolt Plank Step in place using M10x30mm bolts/nuts.



**Step Three:**

After first side is bolted, ensure the Step is level then mark the hole locations for the second bracket. Drill out 3/8" mounting holes into the frame Side Rail.



**Step Four:**

Bolt second bracket through newly drilled hole using M10x30mm bolts/nuts.